

WINDSOR PARK

702 Windsor Park  
703 Windsor Park  
713 Alteration to Sewage Lift Station  
962 Mechanical and Structural Modifications

WINDSOR PARK STANDBY

963 Lift Station - Details  
964 Lift Station - Dip Service  
965 Lift Station - Electrical  
966 Lift Station - Structural Layout  
967 Lift Station - Concrete Details  
968 Lift Station - Mechanical Layout  
1037 Lift Station - Plan, Elev.  
1038 Lift Station - Site Plan  
1039 Lift Station - Modification to Roof  
1040 Lift Station - Modification to Roof  
1041 Lift Station - Renovations  
1042 Lift Station - Standby Gen. Bldg.  
1043 Lift Station - Trenching  
1044 Lift Station - Gen. Bldg. Layout  
1045 Lift Station - Layout Details  
1046 Lift Station - Control Schematics  
1047 Lift Station - Control Schematics  
1048 Lift Station - Control Diagram  
1049 Lift Station - Tran. Pad Details  
1050 Lift Station - Misc. Details

Windsor Park

**H. ROMATIC**

AURORAHYDROMATIC PUMPS, INC.  
Ashland, Ohio

Customer WILSON EQUIP.

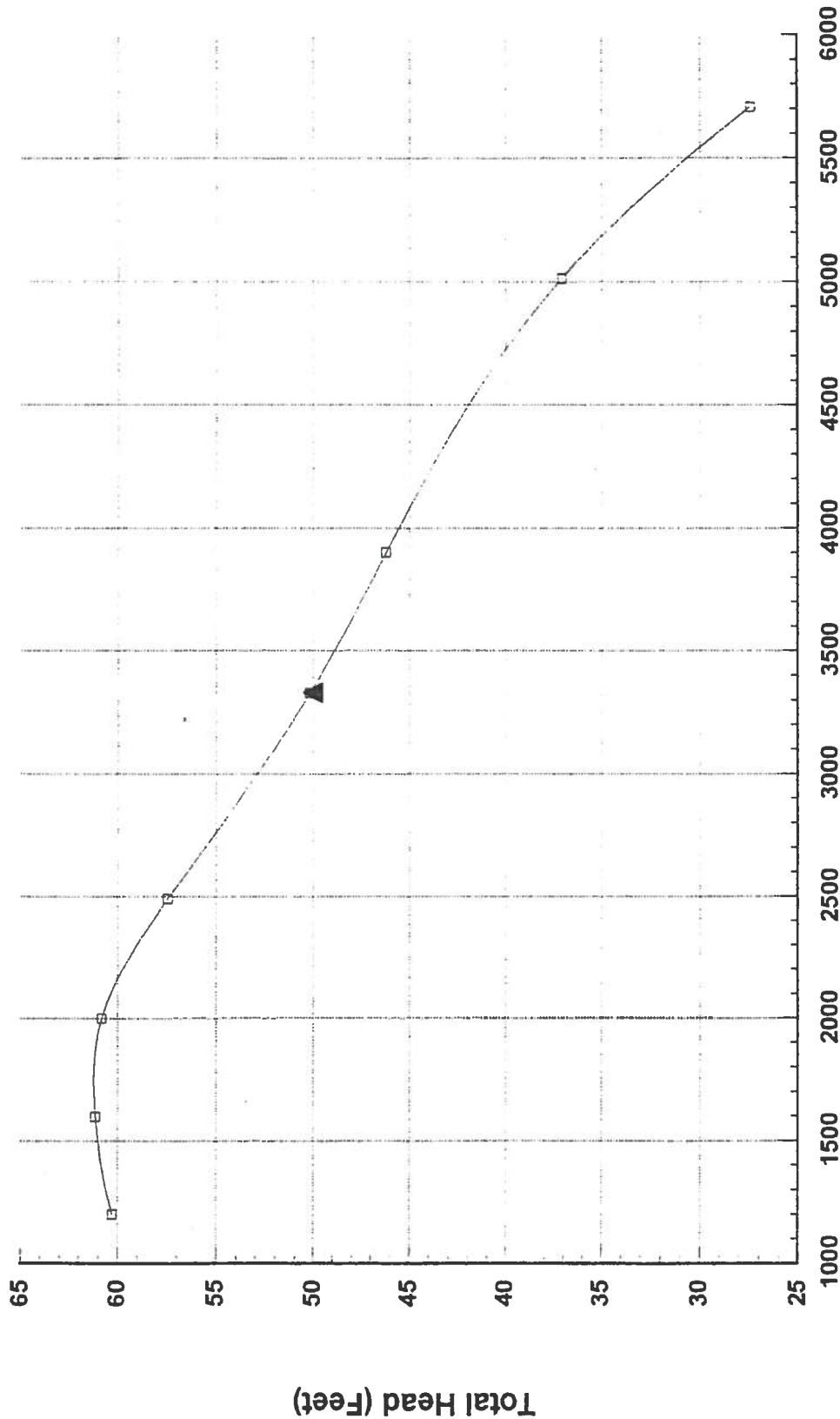
Order # AF6092437 HPC # 6609243

Voltage 0 Phase 0 Imp. Dia. 14.375

Watts 54800 Amps 0 Speed 1150

**Pump 10X10X15 S/N 9243-1**

**Condition of Service 3329 GPM @ 50 Ft.**



Test Date 5-27-96 Certified Date 6-4-96  
 Authorized Signature *Doug Carter*  
 Test Voltage 0 Test Frequency 0  
 Notes: 0

U.S. GPM

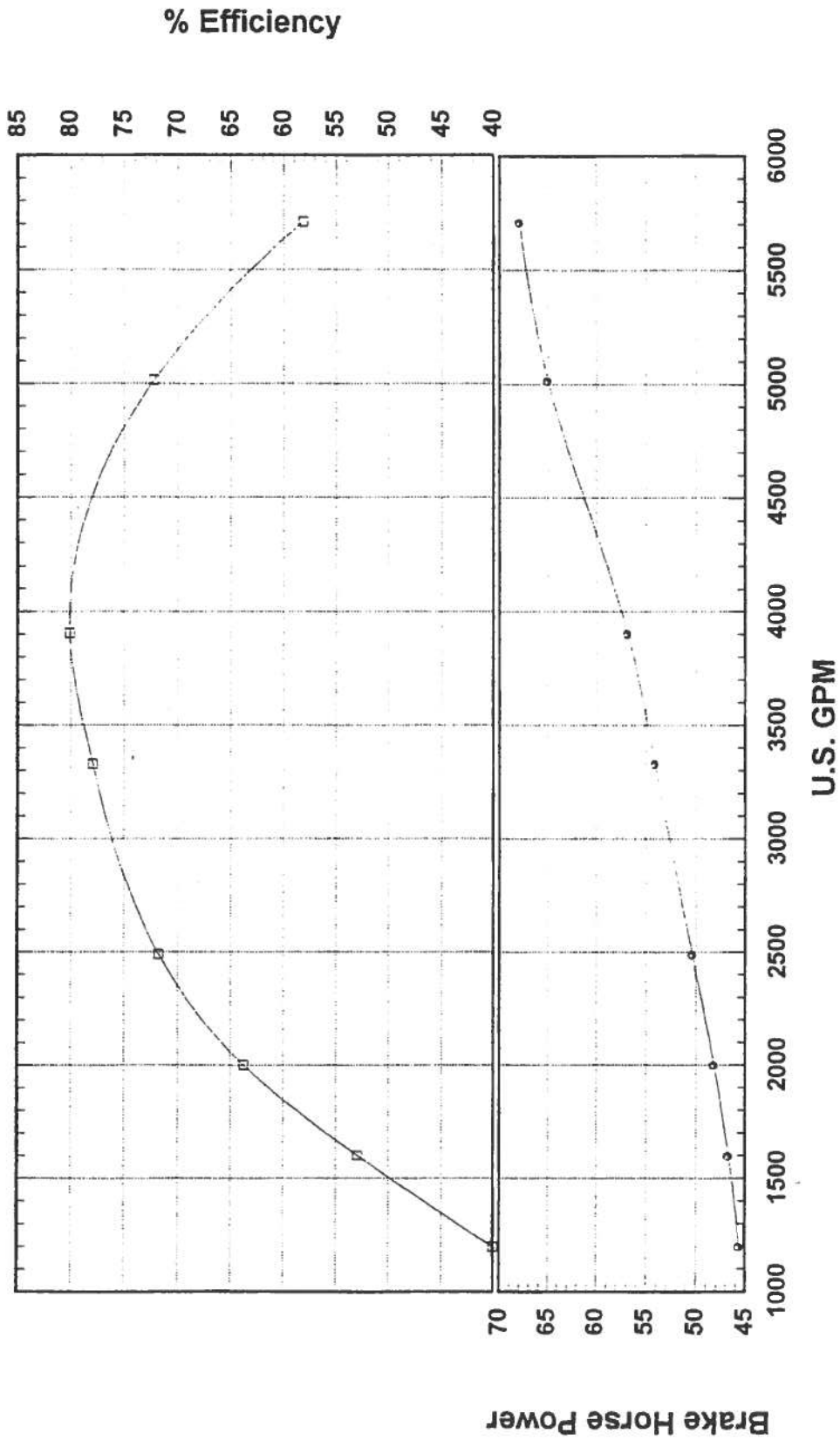
Certified Test C4363

Windsor Park

**HYDROMATIC**

AURORA/HYDROMATIC PUMPS, INC.  
Ashland, Ohio

Pump 10X10X15 S/N 9243-1  
Condition of Service 3329 GPM @ 50 Ft.



Certified Test C4363

Windsor Park

**HY ROMATIC**

AURORAHYDROMATIC PUMPS, INC.  
Ashland, Ohio

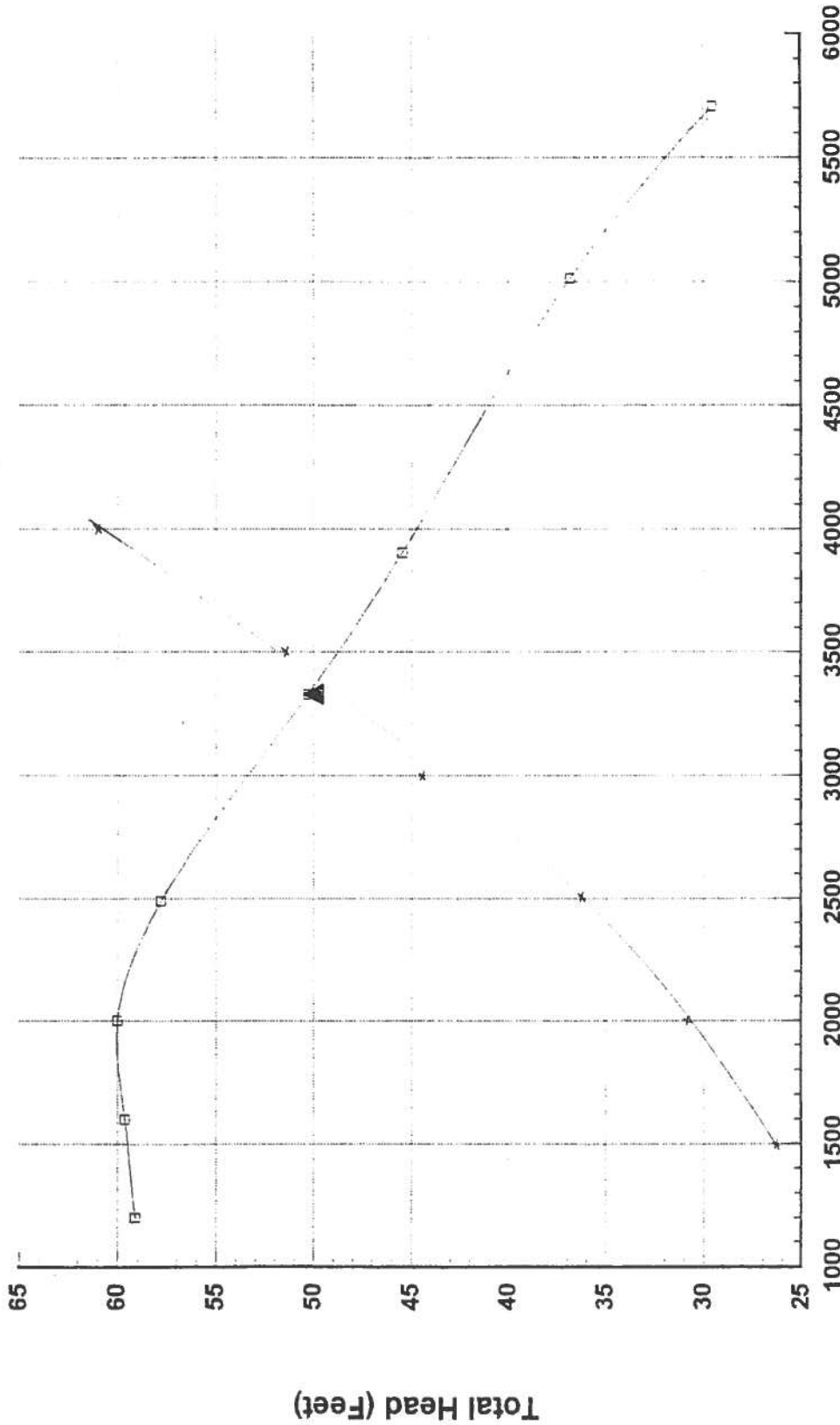
Customer WILSON EQUIP.

Order # AF6092437 HPC # 6609243

Voltage 0 Phase 0 Imp. Dia. 14.375

Watts 54900 Amps 0 Speed 1150

**Pump 10X10X15 S/N 9243-2  
Condition of Service 3329 GPM @ 50 Ft.**



**U.S. GPM**

**Certified Test C4364**

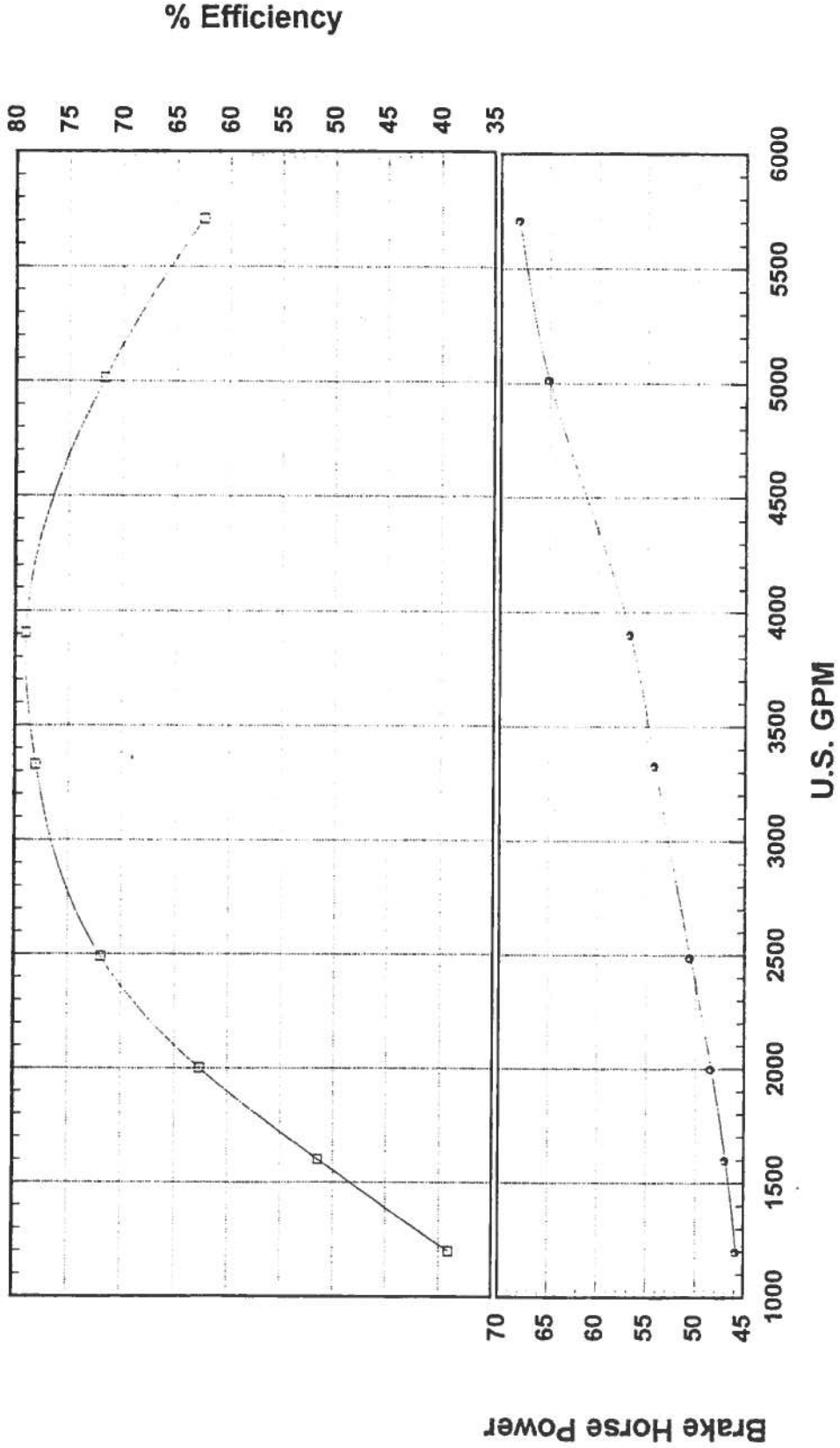
Test Date 5-27-96 Certified Date 6-4-94  
 Authorized Signature [Signature]  
 Test Voltage 0 Test Frequency 0  
 Notes: 0

Windsor Park

**HY. ROMATIC**

AURORA/HYDROMATIC PUMPS, INC.  
Ashland, Ohio

**Pump 10X10X15 S/N 9243-2**  
**Condition of Service 3329 GPM @ 50 Ft.**

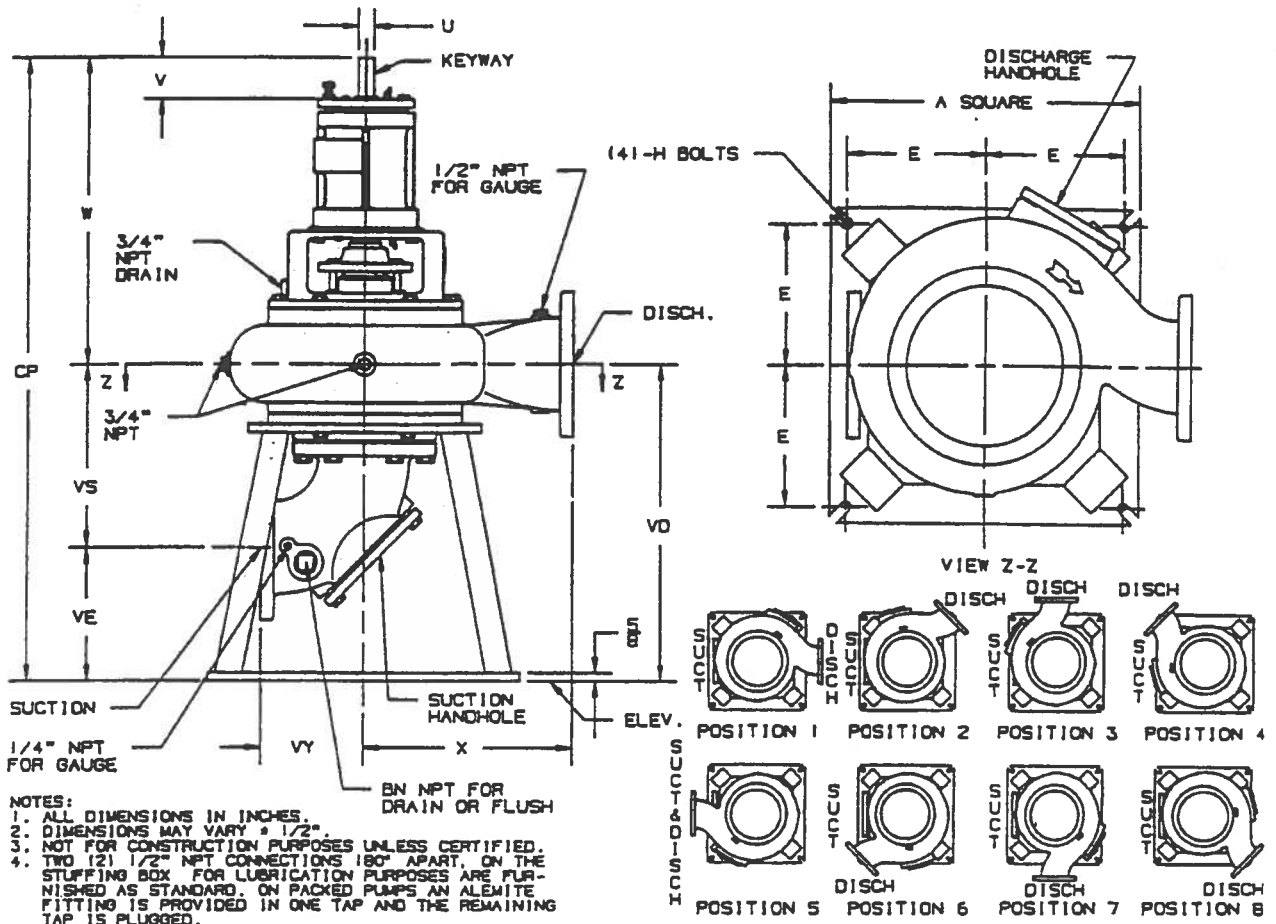


**Certified Test C4364**

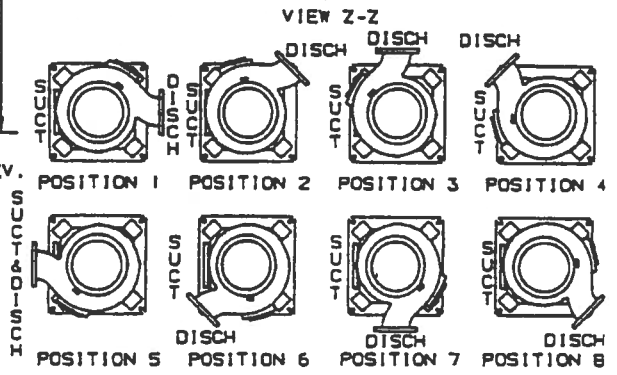
JULY/96

**AURORA MODEL 612A PUMP**  
**6", 8", 10" 12" & 14" PUMPS**

SECTION 610 PAGE 203  
 DATED OCTOBER 1992  
 SUPERSEDES PAGE 203  
 DATED NOVEMBER 1988



- NOTES:
1. ALL DIMENSIONS IN INCHES.
  2. DIMENSIONS MAY VARY ± 1/2".
  3. NOT FOR CONSTRUCTION PURPOSES UNLESS CERTIFIED.
  4. TWO 1/2" NPT CONNECTIONS 180° APART, ON THE STUFFING BOX FOR LUBRICATION PURPOSES ARE FURNISHED AS STANDARD. ON PACKED PUMPS AN ALEMITE FITTING IS PROVIDED IN ONE TAP AND THE REMAINING TAP IS PLUGGED.
  5. DISCHARGE POSITION 1 IS FURNISHED AS STANDARD UNLESS SPECIFIED.
  6. SUCTION AND DISCHARGE FLANGES ARE AMERICAN STANDARD 125 LBS.



DISCHARGE POSITIONS AVAILABLE (VIEW Z-Z)

| POWER FRAME | U     | V      | KEYWAY |       |       |
|-------------|-------|--------|--------|-------|-------|
|             |       |        | LENGTH | WIDTH | DEPTH |
| 4C, 4D      | 1 1/4 | 3 3/16 | 2      | 1/4   | 1/8   |
| 5E, 5F      | 2 3/8 | 6 3/8  | 4      | 5/8   | 5/16  |
| 5G, 5H      |       |        |        |       |       |
| 60          | 2 7/8 | 6 5/8  | 5      | 3/4   | 3/8   |
| 6E          | 2 7/8 | 5 3/4  | 4      | 3/4   | 3/8   |

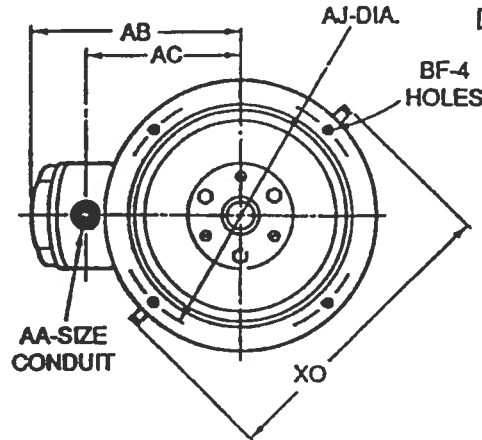
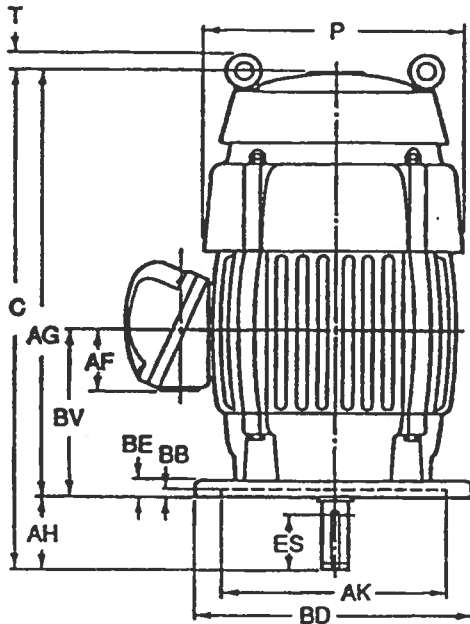
| DISCH SUCT CASE BORE | POWER FRAME | A  | BN    | E      | H   | VY      | W        | X       | CP      | VO       | VE      | VS       | HANDHOLE DISCH. SUCT. |   |
|----------------------|-------------|----|-------|--------|-----|---------|----------|---------|---------|----------|---------|----------|-----------------------|---|
|                      |             |    |       |        |     |         |          |         |         |          |         |          |                       |   |
| 6x6-10               | 4C, 4D      | 24 | 1 1/2 | 10 3/4 | 5/8 | 0       | 33 5/16  | 14      | 47 9/16 | 31 1/4   | 10 1/8  | 14 1/8   | 5x5                   | 6 |
| 6x6-12               | 5E, 5F      | 24 | 1 1/2 | 10 3/4 | 5/8 | 0       | 34 3/16  | 14      | 58 7/16 | 24 1/4   | 10 1/8  | 14 1/8   | 5x5                   | 6 |
| 6x6-12B              | 4C, 4D      | 24 | 1 1/2 | 10 3/4 | 5/8 | 0       | 33 7/16  | 16      | 47 9/16 | 24 1/8   | 10 1/8  | 14       | 5x5                   | 6 |
| 6x6-12B              | 5E, 5F      | 24 | 1 1/2 | 10 3/4 | 5/8 | 0       | 34 5/16  | 16      | 58 7/16 | 24 1/8   | 10 1/8  | 14       | 5x5                   | 6 |
| 6x8-16               | 5E, 5F      | 30 | 1 1/2 | 13 3/4 | 3/4 | 0       | 33 3/4   | 16      | 65 7/8  | 33 1/8   | 17      | 15 1/8   | 5x5                   | 6 |
| 6x8-18               | 5E, 5F      | 30 | 1 1/2 | 13 3/4 | 3/4 | 0       | 34 1/16  | 18      | 66 7/16 | 33 3/8   | 17      | 15 1/2   | 5x5                   | 6 |
| 8x8-16A              | 5E          | 30 | 1 1/2 | 13 3/4 | 3/4 | 0       | 34 1/8   | 10      | 66 1/2  | 33 3/8   | 17      | 14 1/2   | 5x7                   | 6 |
| 8x10-18              | 5E, 5H      | 30 | 1 1/2 | 13 3/4 | 3/4 | 11      | 34 5/8   | 19      | 67 5/8  | 33       | 15 3/16 | 17 13/16 | 5x7                   | 6 |
| 8x10-22              | 5E, 5H      | 32 | 1 1/2 | 17 7/8 | 11  | 34 5/8  | 22       | 60 1/8  | 34 1/2  | 16 5/8   | 17 7/8  | 5x7      | 6                     |   |
| 10x10-15             | 5E, 5F      | 30 | 1 1/2 | 13 3/4 | 3/4 | 11      | 34 13/16 | 20      | 67 3/4  | 32 15/16 | 11 7/8  | 21 1/16  | 5x7                   | 6 |
| 10x10-22             | 5E          | 32 | 1 1/2 | 17 7/8 | 11  | 37 1/8  | 22 1/2   | 71 5/8  | 34 1/2  | 15 5/8   | 17 7/8  | 5x7      | 6                     |   |
| 10x12-22             | 5E, 5H      | 32 | 1 1/2 | 17 7/8 | 12  | 35 1/16 | 22 1/2   | 70 3/16 | 35 1/8  | 15 9/16  | 19 9/16 | 5x7      | 8                     |   |
| 10x12-22             | 6E          | 32 | 1 1/2 | 17 7/8 | 12  | 37 9/16 | 22 1/2   | 72 1/16 | 35 1/8  | 16 9/16  | 19 9/16 | 5x7      | 8                     |   |
| 12x12-22             | 5E          | 37 | 1 1/2 | 17 7/8 | 12  | 37 5/8  | 22 1/2   | 73 3/4  | 35 1/8  | 16 9/16  | 19 9/16 | 5x7      | 8                     |   |
| 12x14-22A            | 5E, 5H      | 37 | 2 1/2 | 17 7/8 | 14  | 35 1/8  | 24       | 70 1/4  | 35 1/8  | 13 7/8   | 21 1/4  | 5x7      | 8                     |   |
| 12x14-22A            | 6E          | 37 | 2 1/2 | 17 7/8 | 14  | 37 5/8  | 24       | 72 3/4  | 35 1/8  | 13 7/8   | 21 1/4  | 5x7      | 8                     |   |
| 12x14-22B            | 5E, 5H      | 37 | 2 1/2 | 17 7/8 | 14  | 35 1/8  | 24       | 70 1/4  | 35 1/8  | 13 7/8   | 21 1/4  | 5x7      | 8                     |   |
| 14x14-22B            | 5E          | 37 | 2 1/2 | 17 7/8 | 14  | 37 5/8  | 24       | 72 3/4  | 35 1/8  | 13 7/8   | 21 1/4  | 5x7      | 8                     |   |
| 14x14-22A            | 6E          | 37 | 2 1/2 | 17 7/8 | 14  | 37 5/8  | 24       | 72 3/4  | 35 1/8  | 13 7/8   | 21 1/4  | 5x7      | 8                     |   |



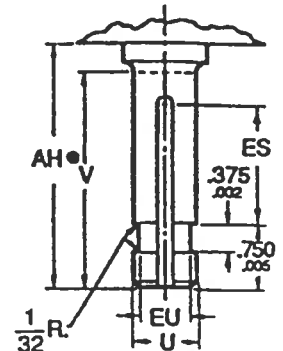
# VERTICAL MOTORS

WITH NEMA "P" BASE  
FRAMES 324VP THRU 447VP  
TYPES LV & TV

SECTION: 505  
PAGE: 35  
EFFECTIVE: 03-01-91  
SUPERSEDES: 07-01-90



PROJECT: 2967-95  
DRAWING NO. 52867/2  
DATE: MAY 8/96



ALL DIMENSION ARE IN INCHES

| BASIC FRAME    | C        | P*      | T      | V MIN. | AA | AG       | AH ●  | AJ     | AK     | BB MIN. | BD     | BF    | BV       | XO     |
|----------------|----------|---------|--------|--------|----|----------|-------|--------|--------|---------|--------|-------|----------|--------|
| 324, 326VP     | 34-11/16 | 17      | 7/8    | 4-1/2  | 2  | 30-3/16  | 4-1/2 | 14-3/4 | 13-1/2 | 1/4     | 16-1/2 | 11/16 | 11-15/16 | -      |
| 324, 326VPH    | 34-11/16 | 17      | 7/8    | 4-1/2  | 2  | 30-3/16  | 4-1/2 | 9-1/8  | 8-1/4  | 3/16    | 12     | 7/16  | 11-15/16 | -      |
| 364, 365       | 36-3/4   | 18-3/4  | 1-5/16 | 4-1/2  | 3  | 32-1/4   | 4-1/2 | 14-3/4 | 13-1/2 | 1/4     | 16-1/2 | 11/16 | 13       | -      |
| 404, 405, A444 | 42-7/16  | 21-3/16 | -      | 4-1/2  | 3  | 37-15/16 | 4-1/2 | 14-3/4 | 13-1/2 | 1/4     | 16-1/2 | 11/16 | 15-5/8   | 24-1/8 |
| 444, 445       | 46-3/16  | 23-1/4  | -      | 4-1/2  | 3  | 41-11/16 | 4-1/2 | 14-3/4 | 13-1/2 | 1/4     | 16-1/2 | 11/16 | 16-1/2   | 26-1/4 |
| 447            | 49-11/16 | 23-1/4  | -      | 4-1/2  | 3  | 45-3/16  | 4-1/2 | 14-3/4 | 13-1/2 | 1/4     | 16-1/2 | 11/16 | 18-1/4   | 26-1/4 |

| FRAME             | TYPE | U -.001 | AB      | AC       | AF     | BE    | ES MIN. | EU -.005 | SQ KEY |
|-------------------|------|---------|---------|----------|--------|-------|---------|----------|--------|
| 324, 326VP, VPH   | LV   | 1-5/8   | 14-3/16 | 10-11/16 | 3-7/8  | 1     | 3       | 1-1/4    | 3/8    |
| 324, 326VP, VPH   | TV   | 1-5/8   | 13      | 10-3/16  | 2-5/8  | 1     | 3       | 1-1/4    | 3/8    |
| 364, 365VP        | LV   | 1-5/8   | 15-7/8  | 11-15/16 | 3-7/16 | 1     | 3       | 1-1/4    | 3/8    |
| 364, 365VP        | TV   | 1-5/8   | 15-7/8  | 12-1/4   | 4      | 1     | 3       | 1-1/4    | 3/8    |
| 364, 365VPZ       | LV   | 2-1/8   | 15-7/8  | 11-15/16 | 3-7/16 | 1     | 3       | 1-3/4    | 1/2    |
| 364, 365VPZ       | TV   | 2-1/8   | 15-7/8  | 12-1/4   | 4      | 1     | 3       | 1-3/4    | 1/2    |
| 404, 405, A444VP  | LV   | 1-5/8   | 17-1/8  | 13-3/16  | 3-7/16 | 1     | 3       | 1-1/4    | 3/8    |
| 404, 405, A444VP  | TV   | 1-5/8   | 17-1/8  | 13-1/2   | 4      | 1     | 3       | 1-1/4    | 3/8    |
| 404, 405, A444VPZ | LV   | 2-1/8   | 17-1/8  | 13-3/16  | 3-7/16 | 1     | 3       | 1-3/4    | 1/2    |
| 404, 405, A444VPZ | TV   | 2-1/8   | 17-1/8  | 13-1/2   | 4      | 1     | 3       | 1-3/4    | 1/2    |
| 444, 445, 447VP   | LV   | 2-1/8   | 19-3/4  | 14-5/8   | 4-9/16 | 1-1/8 | 3       | 1-3/4    | 1/2    |
| 444, 445, 447VP   | TV   | 2-1/8   | 18-5/8  | 14-5/16  | 4-7/8  | 1-1/8 | 3       | 1-3/4    | 1/2    |

\* Largest motor width.

● Dimension measured with motor in vertical position, shaft down.

All rough casting dimensions may vary by 1/4" due to casting variations.

Conduit box opening may be located in steps of 90°. Standard as shown with conduit opening down.

**TOLERANCES**

|   |               |               |
|---|---------------|---------------|
| For "AK" dimension of                       | 8-1/4         | 13-1/2        |
| "AK" dimension                              | +0.003; -.000 | +0.005; -.000 |
| Face runout                                 | .004 F.I.R.   | .007 F.I.R.   |
| Permissible eccentricity of mounting rabbet | .004 F.I.R.   | .007 F.I.R.   |
| Permissible shaft runout                    | .002 F.I.R.   | .002 F.I.R.   |
| "AH" shaft extension                        | ±.062         |               |



U. S. ELECTRICAL MOTORS  
DIVISION OF EMERSON ELECTRIC CO.



DO NOT USE FOR CONSTRUCTION PURPOSES UNLESS CERTIFIED



# AURORA MODEL 612A PUMP

SECTION 610 PAGE 207

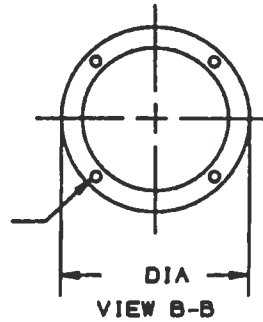
## 10" PUMPS FLEXIBLE SHAFT

DATED NOVEMBER 198

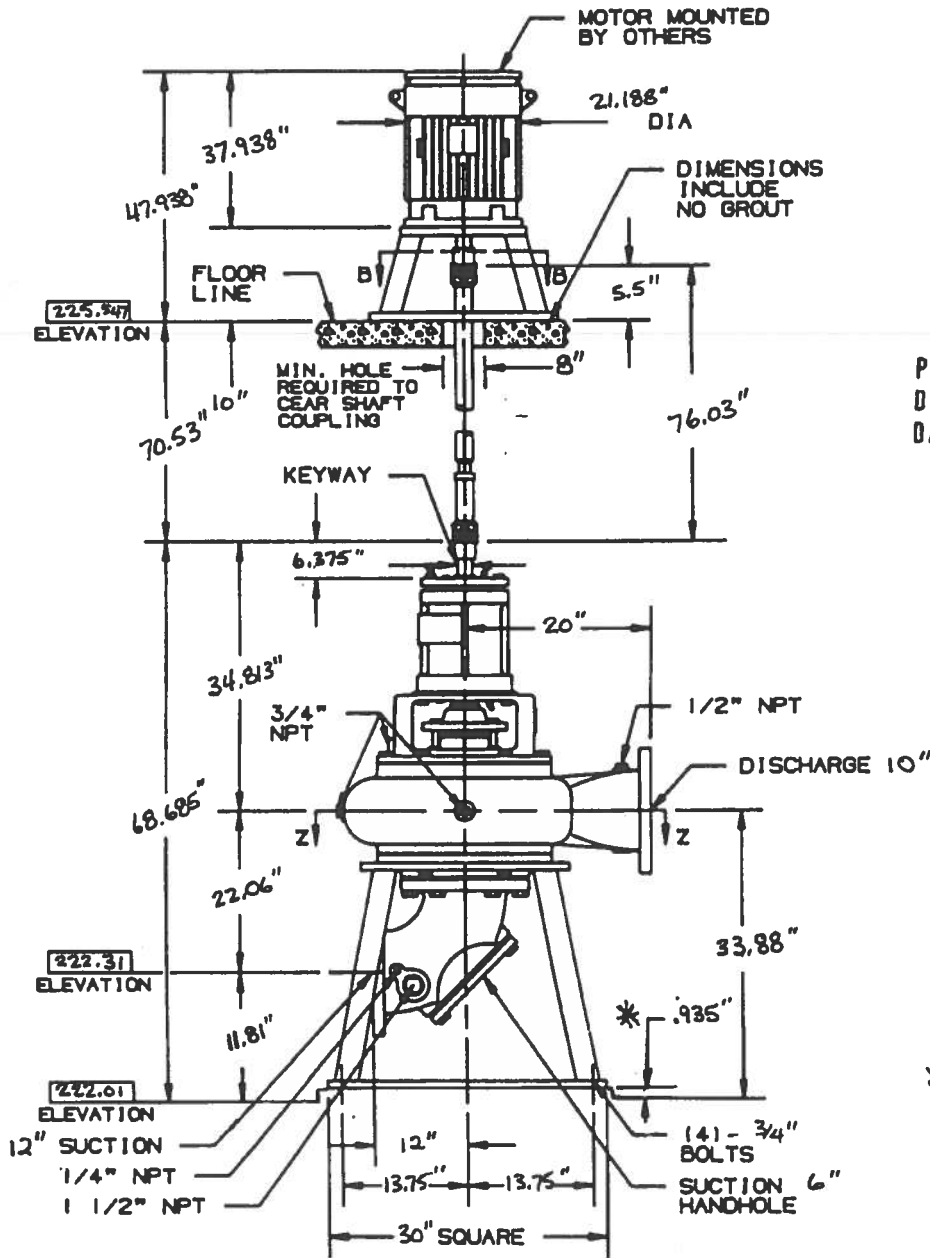
SUPERSEDES PAGE 207

DATED OCTOBER 1984

(4) 1 3/16" DRILLS  
ON 20" DIA. FOR  
FOUNDATION BOLTS.



- NOTES:
1. ALL DIMENSIONS IN INCHES.
  2. DIMENSIONS MAY VARY ± 1/2"
  3. NOT FOR CONSTRUCTION PURPOSES UNLESS CERTIFIED.
  4. TWO (2) 1/2" NPT CONNECTIONS 180° APART, ON THE STUFFING BOX FOR LUBRICATION PURPOSES ARE FURNISHED AS STANDARD. ON PACKED PUMPS AN ALEMITE FITTING IS PROVIDED IN ONE TAP AND THE REMAINING TAP IS PLUGGED.
  5. DISCHARGE POSITION 1 IS FURNISHED AS STANDARD UNLESS SPECIFIED.
  6. SUCTION AND DISCHARGE FLANGES ARE AMERICAN STANDARD 125 LBS.
  7. CONDUIT BOX IS SHOWN IS APPROXIMATE LOCATION. DIMENSIONS ARE NOT SPECIFIED AS THEY MAY VARY WITH EACH MOTOR MANUFACTURER.



PROJECT: 2967-95  
DRAWING NO. 52867/3  
DATE. MAY 8/96

\* HOUSE KEEPING PAD